



REPLACING THE WINCH ROPE



Do not work under the trailer when it is loaded. Before working under the trailer ensure the battery switch is off, the safety latches are engaged on all lifting arms and the hitch and rear of the trailer are safely supported.

STEP 1

From underneath the trailer, feed the winch rope through the triple pulley block, back through the slot in the winch box and into the fixing hole, from the bottom of the winch drum.

Ensure the rope is not crossed.



STEP 2

Push the rope in the hole on the winch drum so it is flush with the winch drum and tighten the set screw securely.





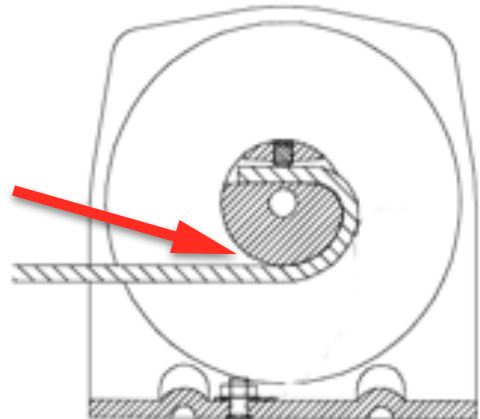
STEP 3

Bolt the eyelet end of the rope to the securing bolt on the winch box beam.



STEP 4

Operate the trailer winch in the **UP** direction, be sure to feed the rope on from the bottom of the winch drum.



Hold tension on the rope and wind on (**UP**) so the rope lays neat on the winch drum.

